



**S I G M A**  
**S E R I E S**®

**SW380**  
**PISTOL**

.....

**Safety and**  
**Instruction Manual**

S M I T H & W E S S O N

## **WARNING**

**UNLIKE SOME SMITH & WESSON SEMI-AUTOMATIC PISTOLS, THE SW380 SEMI-AUTOMATIC PISTOL CAN BE FIRED WHEN THE MAGAZINE IS REMOVED IF A CARTRIDGE IS IN THE CHAMBER AND THE TRIGGER IS PULLED. WHEN UNLOADING, ALWAYS REMOVE THE MAGAZINE AND VISUALLY CHECK THE CHAMBER TO MAKE SURE IT IS EMPTY. LIKE ANY FIREARM, TREAT YOUR SW380 SEMI-AUTOMATIC PISTOL AS LOADED AND READY TO FIRE AT ALL TIMES.**



## **CAUTION**

**READ THESE INSTRUCTIONS AND WARNINGS CAREFULLY. BE SURE THAT YOU UNDERSTAND THESE INSTRUCTIONS AND WARNINGS BEFORE USING THIS FIREARM.**

This SAFETY & INSTRUCTION MANUAL should always accompany this firearm and be transferred with it upon change of ownership or when the firearm is loaned or presented to another person.

A copy of the SAFETY & INSTRUCTION MANUAL is available FREE upon request from:

Smith & Wesson  
Customer Service Department  
2100 Roosevelt Avenue  
P.O. BOX 2208  
Springfield, MA 01102-2208

# TABLE OF CONTENTS

BASIC RULES OF FIREARMS SAFETY .....	4
PREPARATION FOR FIRING .....	6
AMMUNITION .....	8
LOADING .....	10
FIRING .....	14
CLEARING MISFIRES .....	16
UNLOADING .....	17
FIELD STRIPPING .....	19
CLEANING .....	23
REASSEMBLY .....	24
LUBRICATION .....	29
TRANSPORTATION & STORAGE .....	30
SERVICE, SHIPPING & PARTS .....	31
WARRANTY STATEMENT .....	35
EXTENDED SERVICE POLICY .....	37
AUTHORIZED SERVICE STATIONS .....	40



# BASIC RULES OF FIREARMS SAFETY

*At home, in the field, at the range or anywhere, the first concern of every firearm owner should be safety.*

*Apply the following safety rules in every situation, with any kind of firearm.*

- 1. Learn how to safely use your firearm.** No person should handle any firearm without first becoming familiar with how to operate it safely. Read this manual thoroughly until you understand how to operate the pistol safely.
- 2. Always treat your pistol as if it were loaded and ready to fire if the trigger is pulled.** Always exercise the utmost caution when handling your pistol. DO NOT take anyone's word that the pistol is unloaded — always check for yourself.
- 3. Always keep your finger off the trigger until you are ready to shoot.** Your pistol cannot fire unless the trigger is pulled.
- 4. Always keep the muzzle pointed in a safe direction.** This is particularly important when loading, unloading or field stripping your pistol. Never point a firearm at anyone or anything you do not intend to shoot.

5. **Know your target and what is beyond it.** Always be sure of where the bullet will strike and shoot only where there is a safe backstop free of obstructions, water or other surfaces that can cause ricochets.
6. **Never store your pistol in a loaded condition.**
7. **Keep all firearms away from children.** Always secure your firearm from children or unauthorized persons. Always store your unloaded firearm and ammunition separately and in a secure place inaccessible to children.
8. **Use only the correct ammunition for your firearm.** Never use a cartridge not specifically designated for use in your pistol. The correct caliber designation is stamped on the top of the barrel hood.
9. **Make sure there are no obstructions in the barrel.** With the magazine removed and the slide held open, visually inspect the chamber to determine that it is empty; then check to be sure that the barrel is clear of obstructions.



- 10. Wear eye and ear protection as appropriate.** Protect your vision and hearing from damage by always wearing safety glasses and hearing protection.
- 11. Never use alcohol or drugs before or while shooting.**
- 12. When transporting your firearm, make sure it is unloaded.**
- 13. Use only appropriate accessories.** Be sure all accessories, such as holster and grips, are compatible with the firearm and that the accessories do not interfere with safe operation.

## PREPARATION FOR FIRING

- Wear safety glasses and ear protection whether indoors or out.
- Shoot only in a place that has a safe backstop, is free from obstructions, water or other surfaces which cause ricochets. Check local and state laws to be sure that shooting is permitted at the site you have selected.
- Always be aware of other people so that persons cannot accidentally walk into the line of fire.
- Position the shooter and all others so that they are not within an area



where they may be struck by particle-spitting from a revolver or by ejected cases from other types of firearms.

- Keep fingers and other parts of your body away from the muzzle and slide.
- When firing on a target range, be alert and follow the range officer's commands.
- Before anyone is allowed forward of the firing position, be sure that all cylinders and actions of firearms are open, that chambers are clear of cartridges, magazines are removed, and that firearms are pointing in a safe direction and **NOT HANDLED ON THE BENCH.**

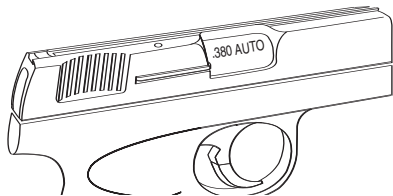
- Do not handle firearms while someone is forward of the firing position.
- Never use alcoholic beverages or other drugs before or during shooting.
- Be alert at all times. Never shoot if you are tired, cold or impaired in any way.
- Never cross obstacles such as fences or streams with a loaded firearm.
- If you are carrying a loaded firearm in the field, keep the muzzle pointed in a safe direction.
- Guns don't think so you must!

# AMMUNITION

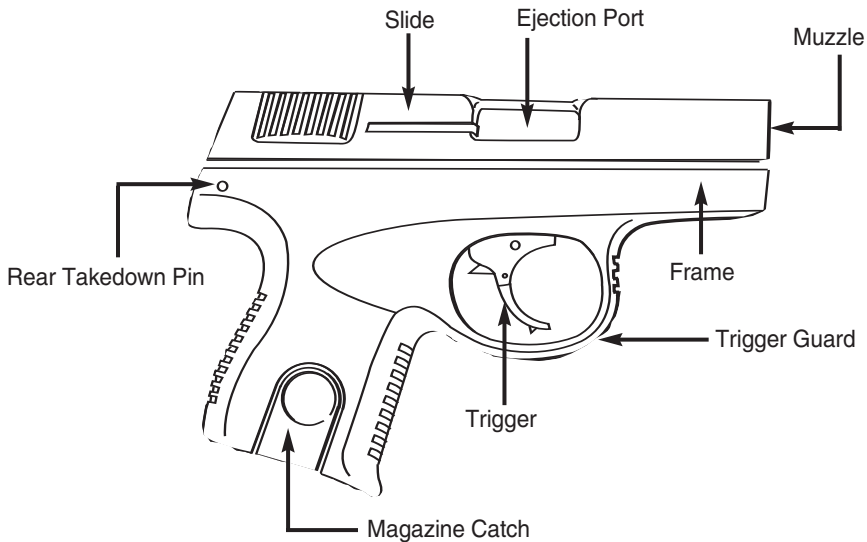
**WARNING: Never use ammunition whose pressure levels exceed industry standards. The Smith & Wesson SW380 pistol is manufactured from high quality material. The polymer frame will provide extended service life. However, + P cartridges should never be used in your SW380 pistol. All warranties, express or implied, are voided and Smith & Wesson will not be liable for property damage or personal injury and consequential damages if +P ammunition is used in the Smith & Wesson SW380 pistol.**

A firearm and ammunition work together. Their performance is closely related. The Smith & Wesson SW380 pistol is designed for a specific type and caliber of ammunition; do not alter the barrel or chamber of your pistol.

The caliber designation for this pistol is clearly stamped on the top of the barrel hood. Use only commercially manufactured ammunition for the caliber indicated on the barrel hood. Never use nonstandard or reloaded ammunition.



# SW380 Pistol



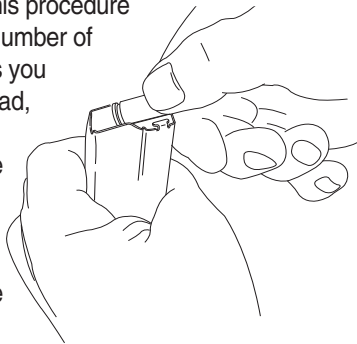
## LOADING

Do not load your SW380 pistol until you are ready to use it and thoroughly understand these instructions. Keep your finger outside the trigger guard until you are ready to fire. For safe and reliable performance, use only original equipment Smith & Wesson magazines specifically manufactured for your pistol. Failure to use only original equipment Smith & Wesson magazines may result in the malfunction of your pistol.

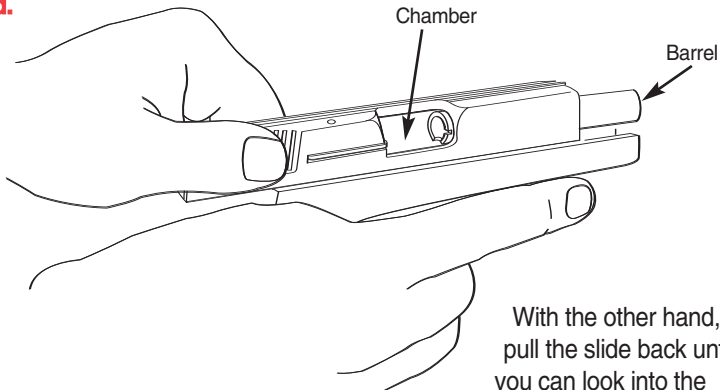
Load the magazine by pressing a cartridge head (rear of the cartridge) downward on the forward portion of the magazine follower and sliding the cartridge fully under the lips of the

magazine until the cartridge head is against the rear wall of the magazine. Repeat this procedure with the number of cartridges you wish to load, up to the magazine capacity marked on the magazine tube.

Do not attempt to load your magazine with more than the specified number of cartridges because doing so may cause a failure to feed.

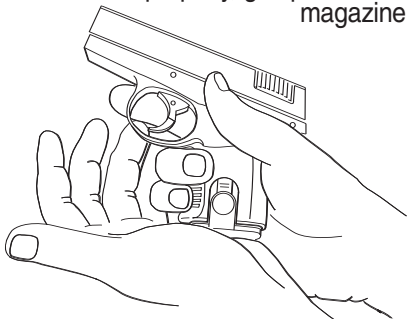


Hold the pistol in one hand with the muzzle pointing in a safe direction **and with your trigger finger outside the trigger guard.**



With the other hand, pull the slide back until you can look into the chamber. Verify that the chamber is empty and allow the slide to return forward.

Insert the loaded magazine firmly into the magazine well of the pistol until the magazine butt is flush with the frame. To make sure the magazine is seated properly, grasp the two



magazine catches simultaneously and pull downward. **(Do not depress catches or magazine will release.)**

After securely inserting the magazine into the pistol pull the slide fully to the rear. Release the slide and allow it to move all the way forward. This strips a cartridge from the magazine and seats it in the chamber of the barrel, making the pistol ready to fire. **The pistol can now be fired by pulling the trigger.**



If you wish to reload the magazine in your SW380 pistol to its full capacity, depress the magazine catches simultaneously and remove the magazine from the pistol. ( see pg. 17 - Unloading)

**The Smith & Wesson SW380 pistol is capable of firing, even when the magazine has been removed, if the trigger is pulled.**

If the magazine is removed with a round left in the chamber, be sure to holster or otherwise secure the pistol under your direct control while the magazine is being reloaded. Load one cartridge into the magazine to replace the cartridge that was chambered when you allowed the slide to go forward. Reinsert the loaded magazine into the magazine well until it is locked into place

and the magazine butt plate is flush with the frame.

Your Smith & Wesson SW380 pistol is now fully loaded and ready to fire. Remember to keep your pistol pointed in a safe direction at all times and always keep your finger outside the trigger guard until ready to fire. Never leave any loaded firearm unattended.



# FIRING

**WARNING:** Some users of Smith &

Wesson pistols capable of firing in double-action may “stage” the trigger in anticipation of firing a shot in the double-action mode. Staging is the act of pulling the trigger rearward toward—but just short of—the point where the striker falls and the pistol fires. Such manipulation of the trigger can reduce the user’s control of the handgun and can result in an unintentional discharge.

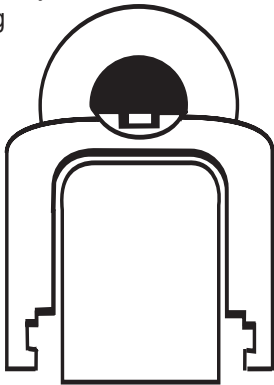
Furthermore, if the user decides not to fire, releasing the trigger from a position close to the firing point in the staging process could result in a discharge.

Staging the trigger violates a basic rule of firearm safety which warns you to keep your finger off the trigger and outside the trigger guard until ready to fire. We warn all users of our pistols capable of firing in double-action to refrain from staging the trigger.



**Your SW380 pistol has been designed with front and rear sights built into the slide. Do not attempt to alter or replace the sights.**

Hold the pistol firmly in your shooting hand with your finger outside the trigger guard. After verifying that the target and the area beyond are safe, align the sights on the target. When you



are ready to shoot, place the pad of your index finger on the trigger.

When the trigger is drawn fully to the rear, the striker is released, striking the cartridge primer. Upon firing, the slide moves rearward, extracting and ejecting the spent cartridge case. The slide then returns forward, feeding the next cartridge from the magazine into the barrel chamber. This sequence is repeated until the last round has been fired. During firing operation, the thumb should not interfere with the slide. If you are holding the pistol with both hands, keep the second hand clear of the slide as it moves rearward after firing.



## CLEARING MISFIRES

If a cartridge fails to fire and the situation permits, wait thirty seconds while keeping the muzzle pointed in a safe direction. If ignition still fails, the chamber must be manually cleared. Remove your finger from the trigger guard. Depress the magazine catches and remove the magazine. Grasp the slide from the rear and briskly pull the slide fully rearward to eject the misfired cartridge. Do not obstruct the ejection port or attempt to catch the cartridge by placing your hand over the ejection port.

After waiting at least sixty seconds, retrieve the misfired cartridge and inspect it. If the indent made by the striker on the primer is off center, light or non-existent, have your SW380 pistol inspected by an authorized Smith & Wesson Warranty Service Station. Be sure to dispose of the misfired cartridge according to the ammunition manufacturer's instructions.

# UNLOADING

While keeping your finger outside the trigger guard and pointing the muzzle in a safe direction, depress the magazine catches simultaneously and remove the magazine (Fig. 1-3).

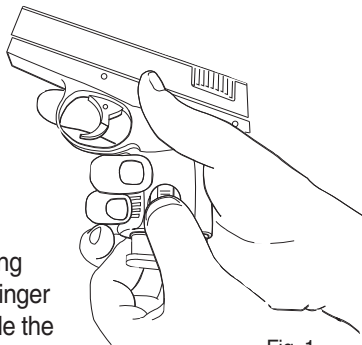


Fig. 1

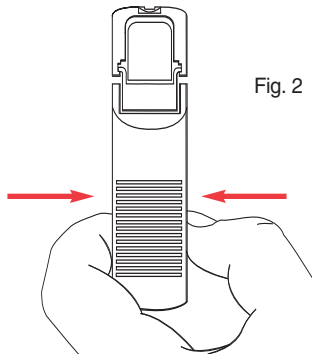
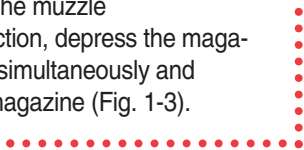
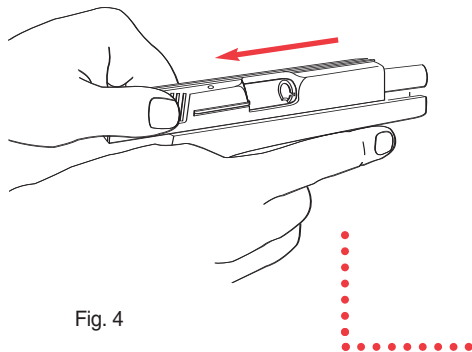
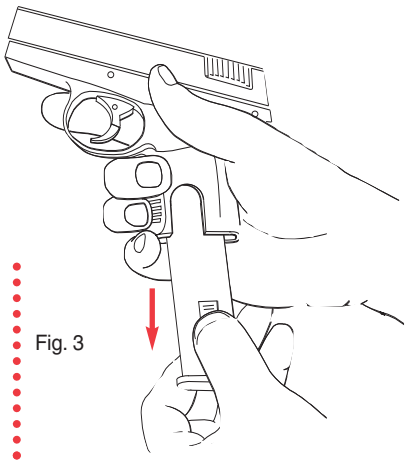


Fig. 2

With your finger still outside the trigger guard and the muzzle still pointing in a safe direction (Fig. 4), grasp the slide from the rear and briskly pull the slide fully rearward to eject the cartridge from the chamber. Do not obstruct the ejection port because doing so can interfere with ejection of a cartridge





and thereby can create the risk of exploding an unchambered cartridge and possibly causing injury. **Visually inspect the barrel chamber to be sure it is empty.**

Empty the magazine by holding it with the bullet end of the cartridge pointing away from you and pressing each cartridge forward and out of the magazine.

# FIELD STRIPPING

## DISASSEMBLY

**WARNING: BE SURE YOUR PISTOL IS UNLOADED BEFORE DISASSEMBLY.**

During field stripping of your pistol, **ALWAYS POINT THE MUZZLE IN A SAFE DIRECTION AND BE SURE TO KEEP YOUR FINGER OUTSIDE THE TRIGGER GUARD.**

To disassemble, squeeze the magazine catches and remove the magazine. Grasp the slide from the rear and briskly pull the slide fully rearward to eject the cartridge from the chamber. Before releasing the slide, **visually inspect**

**the barrel chamber to be sure it is empty. Never clean, lubricate, disassemble or work on your pistol while it is loaded.** Allow the slide to return forward.



## **WARNING**

**First, make certain that the chamber is clear.**

After unloading, use the takedown and assembly tool supplied with the SW380 pistol to remove the rear takedown rail pin located at the rear of the frame.

## **Do not remove any other pin.**

Rest the back of the pistol over the edge of the work surface as shown in Figure 5. Place the narrow end of the tool on the pin and carefully tap the tool into the hole until its tip comes out the other side, forcing the rear takedown rail pin out in front of it. You may need to tap the tool with a hammer, using light pressure, to unseat the pin.

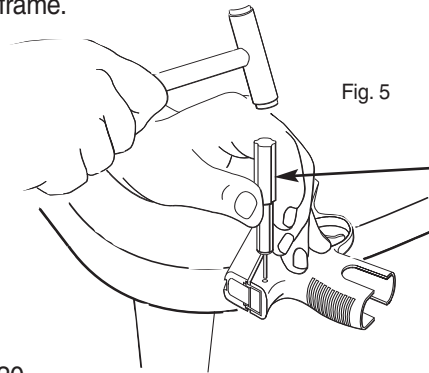
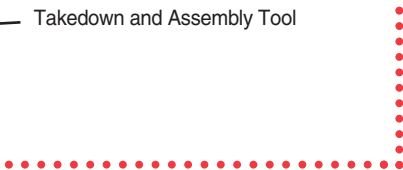


Fig. 5

Takedown and Assembly Tool



Grasp the rear of the slide from the top and move it back (a) then up and forward (b) to remove the slide (Fig. 6).

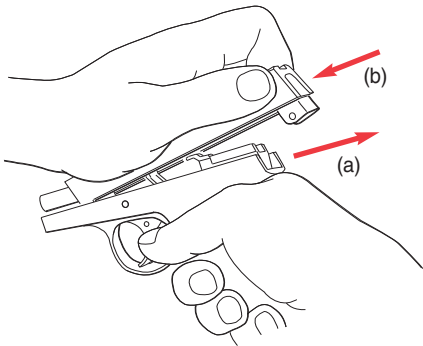


Fig. 6

Next remove the recoil spring from the barrel (Fig 7).

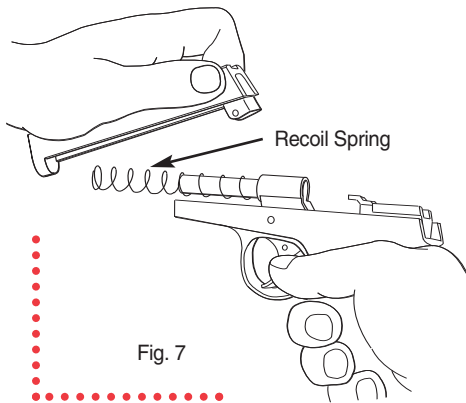


Fig. 7

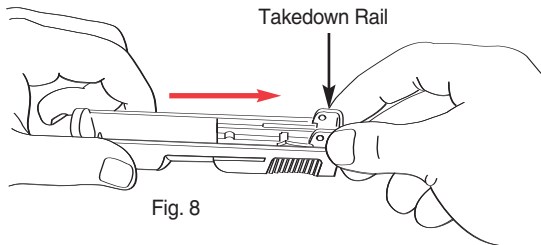


Fig. 8

Remove the takedown rail by sliding it off the rear of the slide (Fig. 8).

The SW380 pistol is now ready for normal cleaning (Fig. 9). Further disassembly is not recommended and should only be undertaken by a Smith & Wesson Certified Armorer or Warranty Service Station.

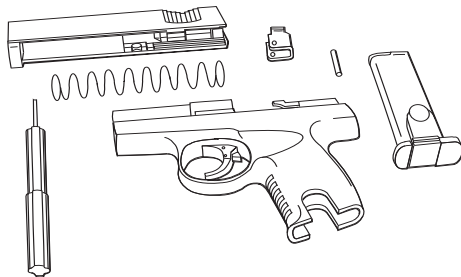


Fig. 9

# CLEANING

Follow this routine maintenance procedure to ensure that your pistol functions properly.

## CLEANING

After firing your SW380 pistol, be sure to unload it following the procedure outlined in the section entitled “Unloading” on page 17 before field stripping and beginning any cleaning or maintenance procedure. Clean the barrel bore with a premium quality powder-removing solvent and bore brush. Wipe the bore clean with a bore patch or swab.

Using a small brush and solvent, remove all powder and primer deposits from around the breech of the barrel and chamber, extractor and adjacent areas. Remove any residue on the frame with light brushing and solvent. Clean the magazine well by removing any grit, dust or residue with a magazine well swab.



# REASSEMBLY

Place the narrow end of the takedown and assembly tool into the muzzle end of the barrel as shown in Figure 10.

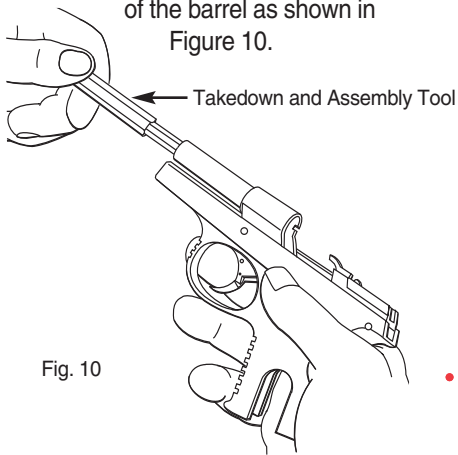


Fig. 10

Slide the recoil spring over the tool and onto the barrel (Fig. 11).

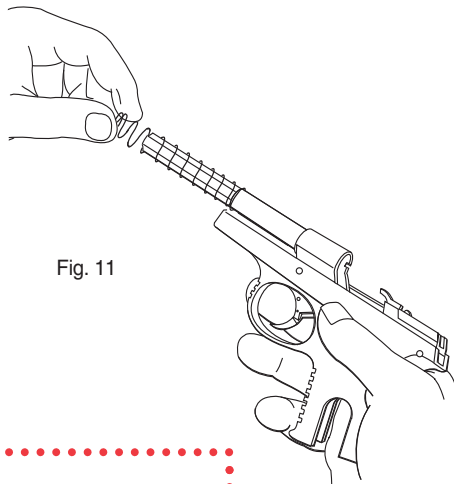


Fig. 11

Holding the slide firmly in one hand and with the other hand grasping the frame by the grip, place the front of the slide onto the takedown and assembly tool and move the slide rearward (Fig. 12).

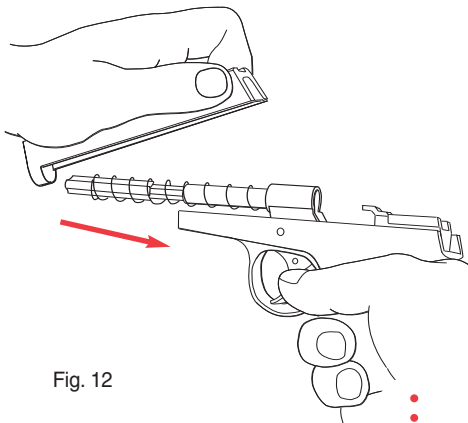


Fig. 12

Continue moving the slide to the rear until the spring is compressed and the rear of the slide moves past the rear of the frame slightly ( See Fig. 13).

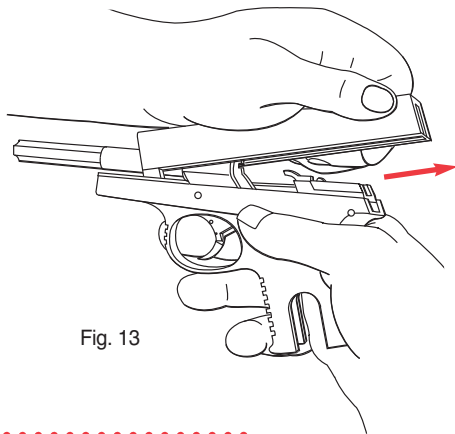


Fig. 13



When the slide is fully rearward, lower it onto the frame (Fig. 14).

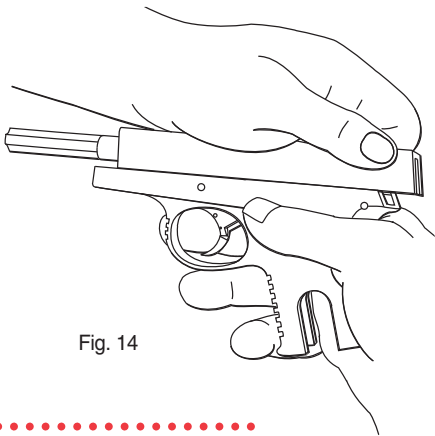


Fig. 14

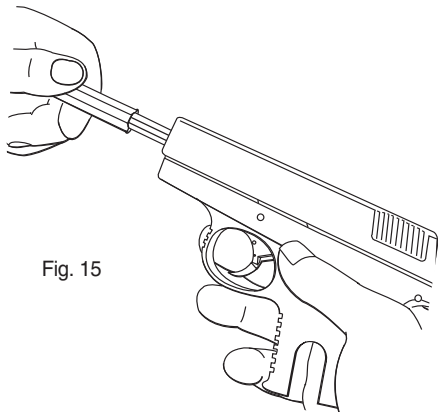


Fig. 15

**Remove the takedown and assembly tool from the barrel (Fig.15).**

Place the takedown rail back in position on the slide and align it so that the holes in the takedown rail match the rear takedown rail pin holes in the frame (Fig. 16-17). Squeeze the slide and frame together to keep the holes aligned.

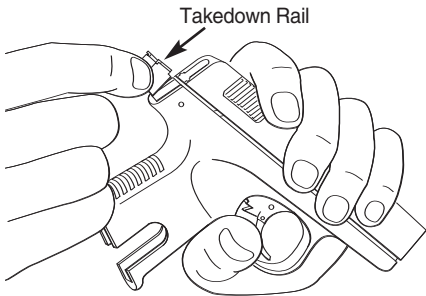


Fig. 16

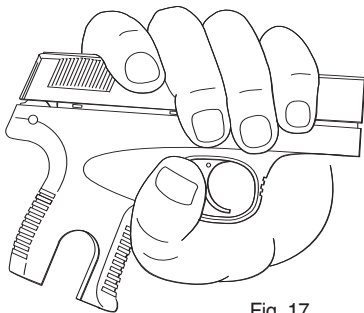


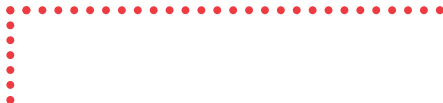
Fig. 17



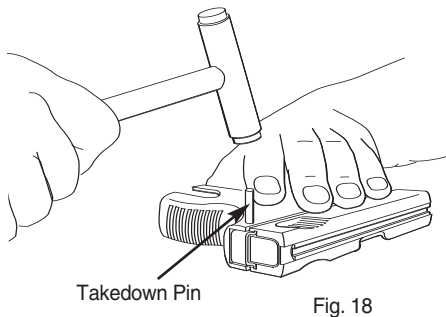
Correct



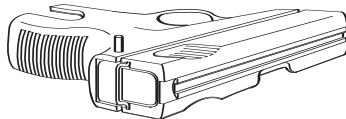
Incorrect



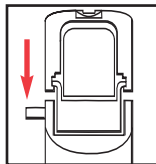
Put the pin in the hole in the frame and tap it into the hole until it is fully inserted into the frame. You may need to tap the tool with a hammer, using light pressure, to reseal the pin ( See Fig 18).



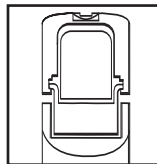
**Check to be sure the pin is flush with or below the surface of the frame.**



Incorrect



Incorrect



Correct

Pull the slide rearward and release it to be sure that the pistol is properly reassembled.

# LUBRICATION

After cleaning the frame, slide and barrel, use a soft cloth to apply a light coating of a premium lubricant to the slide and wipe clean. There are **three (3)** lubrication points where a single drop of lubricant should be applied (See Figure 19). This will assure proper lubrication of the pistol. Care should be taken not to over-lubricate your pistol. Excess lubricant can collect large quantities of unburned powder and carbon residue, which could interfere with the proper functioning of the pistol.

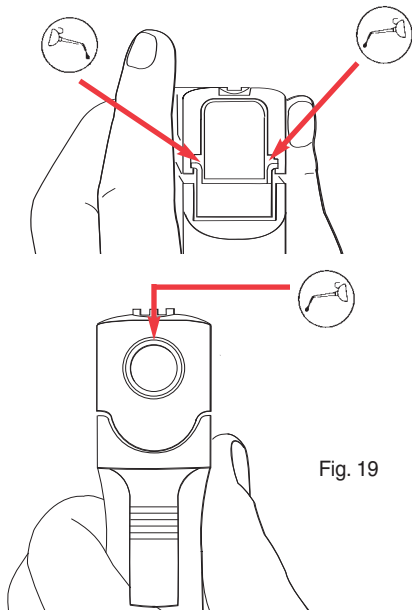


Fig. 19

## Lubrication Points

# TRANSPORTATION & STORAGE

**WARNING: Always unload your pistol and remove the magazine before storing or transporting.**

- Safe firearms transportation and storage are your responsibility.
- When transporting your firearm, be sure it is unloaded and that the cylinder or action is open.
- Never store your firearm loaded.
- Store your unloaded firearm and ammunition in places inaccessible to children.
- Store your unloaded firearm and

ammunition separately and securely.

- Protect your firearms from theft.
- Protect your firearms from misuse by untrained, unqualified or incompetent persons.
- Obey all laws relating to the transportation of firearms. Your local police department should be able to furnish you with information on transporting a firearm legally.

## **Storage Method**

When storing, do not encase your firearm in anything that will attract or hold moisture, for example, leather or heavy cloth. Also, do not store guns

with a plug inserted in the barrel for this is a contributing factor to moisture accumulation. (The safety plug supplied with Smith & Wesson pistols is an exception. It can safely be left in a stored pistol.) If your firearm is to be stored for an extended period, lightly coat the bore, chamber and internal working mechanism with an acid-free lubricating oil or preservative and lightly coat the external working mechanisms, frame, cylinder or slide and barrel with an anti-rust oil. Before using your firearm again, be sure to clean it. Every time you clean your firearm, check it for signs of wear. If wear is noted, do not use the firearm. Return it to Smith & Wesson for service or have it checked by a qualified gunsmith.

If your firearm will be used or stored in a cold climate, be sure to use an oil that will not thicken at low temperatures.

## **SERVICE, SHIPPING & PARTS**

Should your Smith & Wesson firearm require adjustment, repair or refinishing, it should be returned unloaded to the factory or to an authorized Smith & Wesson Warranty Service Station. Please consult the list in the back of this manual to find the address of the nearest service station. There is no other way for us to insure that the work will be done in a properly equipped and staffed shop.

Firearms returned to the factory must be shipped prepaid to **Smith & Wesson, Customer Service Department, 2100 Roosevelt Avenue, Springfield, MA 01104.**

Since we cannot assume responsibility for custom items and accessories such as grips, sight aids and holsters, please remove these before returning your firearm. Enclose a letter stating the model and serial number of your firearm and the full nature of the problems experienced or work desired. Adherence to these suggestions will expedite handling of your firearm.

When your firearm arrives at our service department, its receipt will be acknowledged. The firearm will be

inspected carefully, and your letter of instructions will be carefully read. In case of warranty repairs, work will begin immediately upon receipt and examination of the firearm. In the case of repairs or work not covered by warranty, a quotation covering the total cost of work to be done will be sent to you or the dealer who returned the firearm. Work on your firearm will begin upon receipt of payment. Charges are based upon the cost of parts replaced plus a labor charge for the time expended on the job.



## Shipping

**In shipping a firearm for repair or service, it is important to comply with all federal, state and local laws. The following will help you.**

- **Check the cylinder or the magazine and chamber of your firearm to insure that it is unloaded. Do not return any live ammunition.**
- Only federally licensed dealers may mail handguns. Handguns mailed by individuals are subject to confiscation by the United States Postal Service (See Postal Regulation, Title 18, United States Code of Federal Regulations).
- Individuals who wish to return firearms directly to the factory or to an authorized Smith & Wesson Warranty Service Station can do so by shipping via United Parcel Service, which is an independent company unrelated to the U.S. Postal Service. You may wish to obtain insurance coverage for the full value of your firearm, to protect against loss or damage in transit to Smith & Wesson.
- In certain states and under certain regulations, it may be impossible for us to return a firearm to an individual. If this applies in your state or locality, we strongly recommend that all firearms be shipped to us through a federally licensed dealer.

- Smith & Wesson will refinish all current models of its own manufacture. Repair or replacement of parts are in addition to refinishing price.

### **Parts and Accessories**

Smith & Wesson offers replacement parts and a variety of accessories that will add to the enjoyment of your pistol. Available replacement parts for the Model SW380 include the recoil spring, takedown rail, rear takedown rail pin, magazine, slide and breakdown and assembly tool. Smith & Wesson accessory items include extra magazines, Friction Block lubricant, apparel and shooting accessories.

Handgun replacement parts are available from your local Smith & Wesson Stocking Dealer, Smith & Wesson Warranty Service Stations or directly from the Smith & Wesson Parts Department. For a free parts list covering all Smith & Wesson parts, an accessory and apparel catalog, or to place an order, call 1-800-331-0852, ext. 2904, Monday through Friday, 8:00 AM to 8:00 PM Eastern Standard Time.

# WARRANTY STATEMENT

This warranty is granted by Smith &

Wesson, 2100 Roosevelt Avenue, P.O. Box 2208, Springfield, MA 01102-2208. This warranty is effective from the date of purchase after February 1, 1989 and applies to the original owner of any handgun purchased after that date. With respect to such handguns, this warranty supersedes any and all other warranties.

Smith & Wesson handguns are warranted to be free from defects in material and workmanship. Any such defects of which Smith & Wesson receives written notice within one year from the date of

purchase by the original owner, will be remedied by Smith & Wesson without charge within a reasonable time after such notification and delivery of the handgun as provided below.

Warranty claims (in writing) and the gun concerned should be delivered (transportation charges prepaid) to the nearest Smith & Wesson Warranty Service Center, or Smith & Wesson's Customer Service Department, 2100 Roosevelt Avenue, Springfield, MA 01104. In addition, a copy of the bill of sale in the owner's name, or a copy of ATF Form 4473 indicating date of purchase must be included. In order to expedite service, we enclose a complete list of Smith &

Wesson's service centers and their addresses. Warranty claims should state the model and serial number of the gun concerned and a description of the difficulty experienced. It is recommended that shipments be insured by the owner, since Smith & Wesson will accept no responsibility for loss or damage in transit.

Transportation and insurance charges for return to owner will be paid by Smith & Wesson if the claim is covered by the warranty.

**Under no circumstances shall Smith & Wesson be responsible for incidental or consequential damages with respect to economic loss or injury or property damage, whether as a result**

**of breach of express or implied warranty, negligence or otherwise. Some states do not allow the exclusion or limitation of incidental or consequential damages, so the above limitation or exclusion may not apply to you.**

Smith & Wesson will not be responsible for defects resulting from careless handling, unauthorized adjustments or modifications, defective or improper ammunition, corrosion, neglect, abuse, ordinary wear and tear, or unreasonable use.

This warranty gives you specific legal rights, and you may also have other rights that vary from state to state.

## **EXTENDED SERVICE POLICY**

Even after the warranty period has expired, Smith & Wesson will repair, without charge any handgun purchased by the original owner on or after February 1, 1989 that is found to have a defect in material or workmanship. Eligibility for this service policy requires returning the Product Registration Card within thirty days of purchase. A copy of the bill of sale in the owner's name and the sales receipt should accompany the handgun. When that information is received, the original owner will be qualified for this policy for the handgun identified by serial number.

This policy covers corrections of original defects in material and workmanship; it does not include the handgun's finish, grips, magazines or sights. The policy also does not include repairs caused by careless handling, unauthorized adjustment or modification, defective ammunition or ammunition not recommended in the Smith & Wesson Safety, Instruction & Parts Manual, corrosion, abuse, neglect, unreasonable use or ordinary wear and tear. Smith & Wesson reserves the right to determine what constitutes ordinary wear and tear. However, we can rebuild handguns that have experienced



extreme usage, or are beyond their normal useful life, at a fee that will be quoted to the owner.

This policy is in addition to and not an extension of the Smith & Wesson Limited Warranty. The only consideration we ask of you to become eligible for this Extended Service Policy is that you return the completed Product Registration Card containing valuable data that will help us to serve you better.



Model	Caliber	Description
-------	---------	-------------

SW40F	.40 S&W	Full Size 4½" bbl 15-shot*
.....	.....	.....
SW9F	9 mm	Full Size 4½" bbl 17-shot*
.....	.....	.....
SW380	.380 Auto	Compact Size 3" bbl 6-shot
.....	.....	.....
.....	.....	.....

\*High capacity magazines are restricted to law enforcement and export purchases only. Products sold in the U.S. are shipped with two (2) 10-round magazines.



**Smith & Wesson**<sup>®</sup>  
QUALITY FIREARMS SINCE 1852

2100 Roosevelt Avenue • P.O. Box 2208 • Springfield, MA 01102-2208  
Telephone: 1-800-331-0852 (within U.S.) • 1-413-781-8300 (outside U.S.)  
FAX: 1-413-731-8980

Printed in U.S.A.

1/95